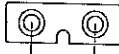


Notice of change screw

Information on new parts

Please note that "Servo set plate C" has been released.
Please choose the correct part for your servo.
The visual difference is the color



Servo set plate B 10mm Black (existing part)
Servo set plate C 11mm Gray.

Item No.	Description	Note
70626	Serve set plate C	10 Gray

Self tapping screw for fixing the servos has been changed as follows.

~~Self tapping screw M2.6×12 ×20~~



HEX self tapping screw M2.6×12(Silver) ×20

When you wish to purchase it as a spare part, please use following number and name.

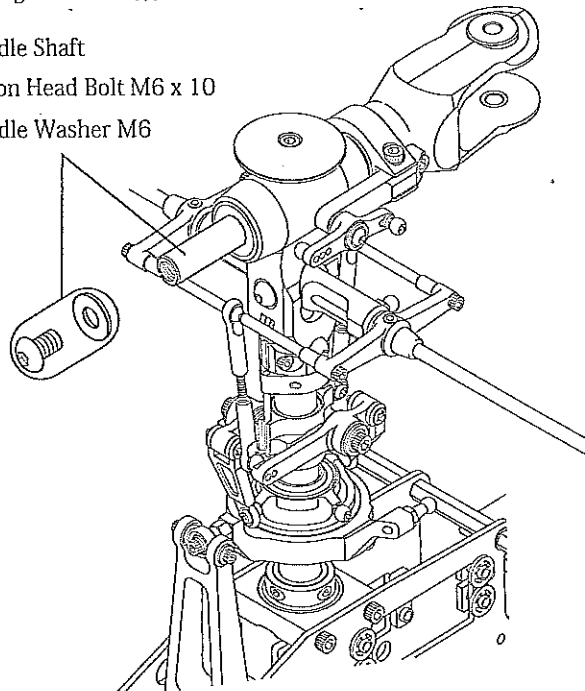
No.	Name	Quantity
80211	HEX Self tapping screw M2.6×12 (Silver)	×10

Japan Remote Control Co., Ltd.
Helicopter division

SPECIFICATION CHANGE

The following parts have been changed. There is no change to the method of assembly. If you wish to order replacement parts, please order using the following part numbers.

- Spindle Shaft
- Button Head Bolt M6 x 10
- Spindle Washer M6



NO	PART NAME	QTY	NOTE
61494	Spindle Shaft (Φ 10)	x 1	with Spindle Shaft Tube
80213	Button Head Bolt M6 x 10 x 10		
70620	Spindle Washer M6	x 2	V9S61